

GE series

SINGLE CYLINDER

GE715S - GE716S - GE615S - GE616S - GE516S



Lonati

SINGLE CYLINDER

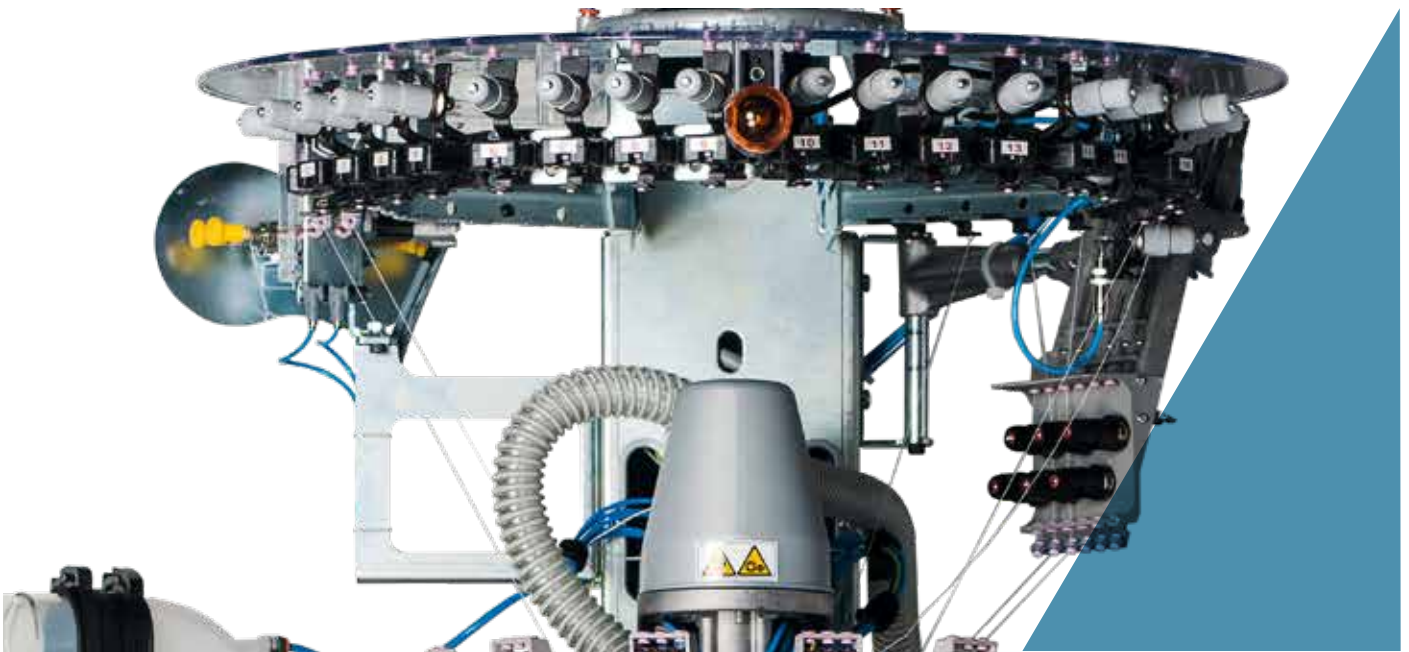
GE715S - GE716S - GE615S - GE616S - GE516S



KNITTING HEAD
designed to knit high quality items and ensure constant reliability over time

SINKERS CAP
standard terry or plating

NEW ELECTRONICS
9" high resolution touch screen display. New user friendly interface. Ethernet, WiFi, NFC connections, Bluetooth is also available for future developments.



All images in this brochure are indicative and not binding.

SINGLE CYLINDER

GE715S - GE716S - GE615S - GE616S - GE516S

1 feed machines are the best sellers of the single cylinder for men's socks as, thanks to their versatility, they can produce several different items, from the very simple to the most complex, without compromising on quality and efficiency. Available in two versions, with five or six colors on a course and in different diameters and numbers of needles. New electronics provides control and execution of all machine commands. Drawings and articles are created and managed by Digraph 3 Plus software package, which contains a full collection of styles the operator can combine in different ways to obtain the desired results.

- 5 or 6 colors pattern on course according to model, plain knit or terry
- Reciprocated heel and toe in different sizes and 3D effects
- 20 or 28 yarnfingers, according to the model
- Rising dial and finger plate with stepping motor
- Electronic actuators for needle selection, 8 or 9 according to the model
- Brushless coaxial main motor

MACHINE DIMENSIONS



Length max 94.5 cm
Depth max 103.3 cm
Height max 180 cm

MACHINE WEIGHT



ca. 230 Kg

SINGLE CYLINDER

GE715S - GE716S - GE615S - GE616S - GE516S

TECHNICAL DATA

| MODEL | CYLINDER DIAMETER | GAUGE | NEEDLE THICKNESS |
|--------|-------------------|-------------|-----------------------|
| GE715S | 3 1/2 | 6 1/2 to 14 | 0.85 - 0.70 - 0.60 mm |
| GE716S | 3 1/2 | 6 1/2 to 14 | 0.85 - 0.70 - 0.60 mm |
| GE615S | 3 3/4 | 7 to 17 | 0.85 - 0.70 - 0.60 mm |
| GE616S | 3 3/4 | 7 to 17 | 0.85 - 0.70 - 0.60 mm |
| GE516S | 4" | 6 1/2 to 16 | 0.85 - 0.70 - 0.60 mm |

Above data are indicative and not binding.

STANDARD DEVICES

- Stepper motor electric dial with adjustable height (GE516S, GE616S, GE716S only)
- Stitch cam feeds: 1 with 3 different heights.
- Motorized sinkers cap for sinker pressure and angular position
- 10 or 18 color yarnfingers, depending on the model
- 9" high resolution touch screen display
- Yarn sliding sensors guard cleaning device
- Heel yarn recover device with four positions
- 9 yarnfingers on stitch feed
- Yarn creel
- USB port
- Circular yarn cutter with mechanical stop
- 1 yarnfinger on laid-in elastic feed
- Stepper motor controlled adjustable suction valve

MAIN OPTIONAL DEVICES

- LGL Eco Power or Eco Compact yarn storage feeder also available with "Attivo" electronic brake version
- Dinema GRYF positive yarn feeders
- Elastic yarn positive feeders, for compression socks
- Dinema Plus elastane positive feeders
- Motorized stitch cams
- Antitwist device
- Footlet device
- G-Flot device
- G-Flot 2 device
- Elastane extra tweezers device
- Yarn recover device, 6 positions
- Yarn trimming circular cutter with adjustable speed
- Led inspection lamps
- 3 yarnfingers color group (on GE615S GE715S only)
- Preparation for storage feeder "Unifeeder 2" by B TSR
- Ethernet board for connection to Dinema Nautilus data collector system
- Second elastic yarnfinger
- Yarn sliding control sensors, Dinema ISPY
- Pneumatic yarn tensioner for covered elastane
- Suction fan

POSSIBLE KNITTING

The standard machine can perform the following knittings

- 5 or 6 colors pattern, according to model, plus ground color, mesh, tuck and float stitch, plain knit or terry
- With laid-in elastic: 5 or 6 colors pattern, according to model, plus ground color, tuck and float stitch, plain knit or terry
- With laid-in elastic: 4 or 5 colors pattern, according to model, plus ground color, mesh, tuck and float stitch, plain knit or terry

SINGLE CYLINDER

GE715S - GE716S - GE615S - GE616S - GE516S



NUMBER OF COLORS

| | |
|------------------|---|
| Number of colors | GE715S - GE615S 5 on course plus ground GE716S - GE616S - GE516S 6 on course plus ground |
|------------------|---|

PERFORMANCES

| | |
|-------------------|--|
| | 3" 1/2 3" 3/4 4" CYLINDERS |
| KNITTING FEATURES | Patterns or selections 300 rpm Plain knit without pattern, high speed sinker cap 350 rpm. |
| MAXIMUM SPEED | 350 rpm |

Above data are indicative and not binding.

DISCLAIMER: maximum speed may vary depending on yarn, knitting, lubrication etc

GAUGE

| | | GAUGE | | | | | | | | | | | | | | | | | | | | | |
|--------|-------|--------------------------|----|----|----|----|-----|-----|------------|------------|-----|-----|-----|-----|-----|-----|-----|-----|-----|--------------------------|-----|-----|-----|
| Model | ø | 6½ | 7 | 7½ | 8 | 8½ | 9 | 9½ | 10 | 10½ | 11 | 11½ | 12 | 12½ | 13 | 13½ | 14 | 14½ | 15 | 15½ | 16 | 16½ | 17 |
| GE615S | 3"3/4 | | 84 | 88 | 96 | | 108 | 112 | 116 | 120 128 | 132 | | 144 | | 156 | 160 | 168 | | 176 | 180 | 188 | 192 | 200 |
| | | Needle thickness 0.85 mm | | | | | | | | | | | | | | | | | | | | | |
| | | Needle thickness 0.70 mm | | | | | | | | | | | | | | | | | | Needle thickness 0.60 mm | | | |
| GE715S | 3"1/2 | 72 | | 84 | 88 | 96 | 100 | | 108 112 | 116 | 120 | 128 | 132 | | 144 | | 156 | | | | | | |
| | | Needle thickness 0.85 mm | | | | | | | | | | | | | | | | | | | | | |
| | | Needle thickness 0.70 mm | | | | | | | | | | | | | | | | | | | | | |

| | | GAUGE | | | | | | | | | | | | | | | | | | | | | |
|---------|-------|--------------------------|----|----|----|------------|-----|------------|------------|------------|-----|--------------------------|-----|------------|-----|-----|--------------------------|-----|-----|--------------------------|-----|-----|-----|
| Model | ø | 6½ | 7 | 7½ | 8 | 8½ | 9 | 9½ | 10 | 10½ | 11 | 11½ | 12 | 12½ | 13 | 13½ | 14 | 14½ | 15 | 15½ | 16 | 16½ | 17 |
| GE516 S | 4" | 84 | 88 | 96 | | 108 112 | | 116 120 | | 128 132 | 136 | 144 | | 156 160 | | 168 | 176 | 180 | 188 | 192 | 200 | | |
| | | Needle thickness 1 mm | | | | | | | | | | | | | | | | | | | | | |
| | | Needle thickness 0.85 mm | | | | | | | | | | Needle thickness 0.70 mm | | | | | Needle thickness 0.60 mm | | | | | | |
| GE616 S | 3"3/4 | | 84 | 88 | 96 | | 108 | 112 | 116 | 120 128 | 132 | | 144 | | 156 | 160 | 168 | | 176 | 180 | 188 | 192 | 200 |
| | | Needle thickness 0.85 mm | | | | | | | | | | | | | | | | | | | | | |
| | | Needle thickness 0.70 mm | | | | | | | | | | | | | | | | | | Needle thickness 0.60 mm | | | |
| GE716 S | 3"1/2 | 72 | | 84 | 88 | 96 | 100 | | 108 112 | 116 | 120 | 128 | 132 | | 144 | | 156 | | | | | | |
| | | Needle thickness 0.85 mm | | | | | | | | | | | | | | | | | | | | | |
| | | Needle thickness 0.70 mm | | | | | | | | | | | | | | | | | | | | | |

Above data are indicative and not binding.

DISCLAIMER:

All features in the brochure are for information only and subject to change without any prior notice.

For a complete list of available options, please contact Lonati sales network.

The Company accepts no liability for improper use of machinery.

Lonati is recommending needles from
GROZ-BECKERT®

SINGLE CYLINDER

GE715S - GE716S - GE615S - GE616S - GE516S

NOISE LEVEL (Maximum noise output for GE series models)

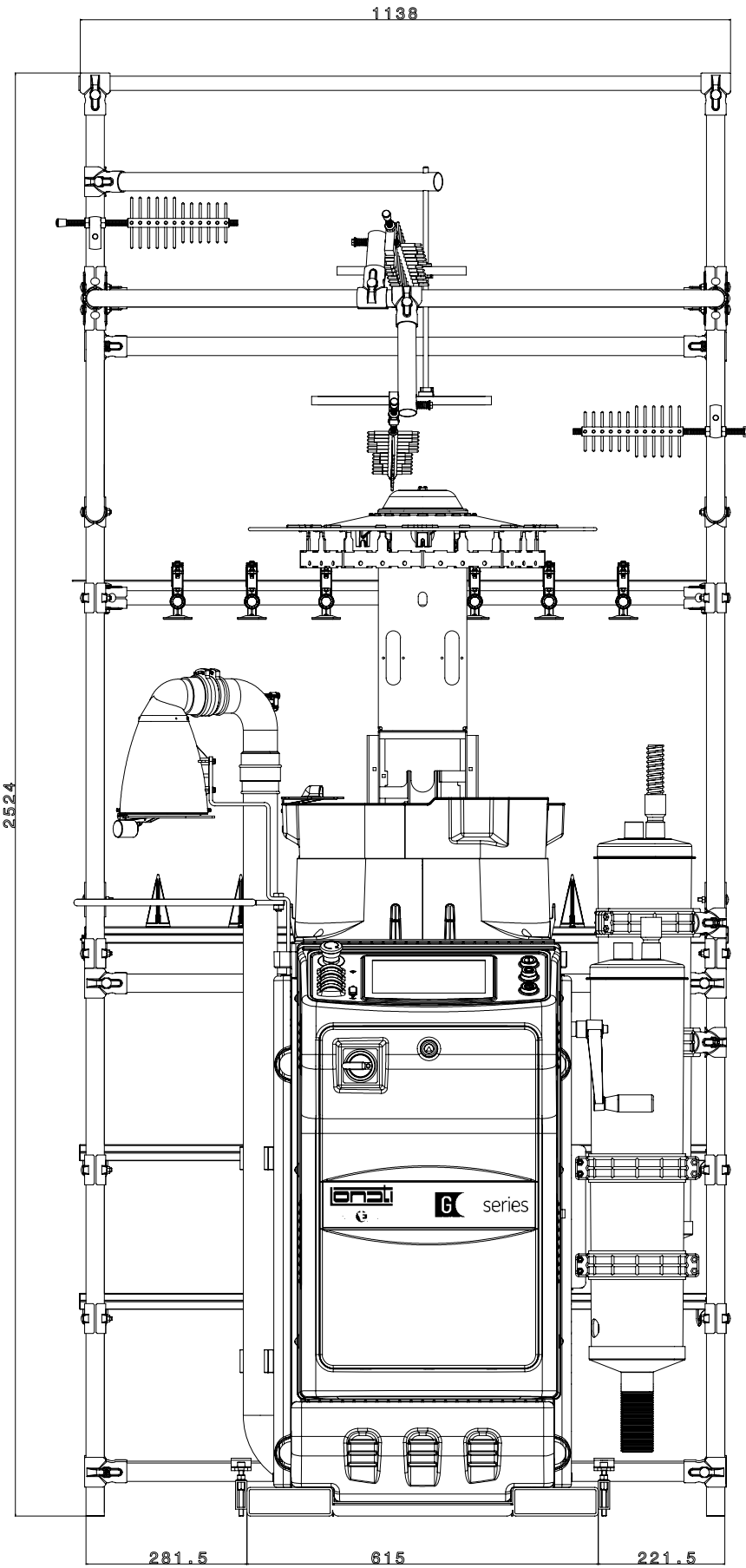
Noise pressure level on reference surface = LPA 79,5 dB - Noise power level = LWA 96,6 dB - Peak= 109,3 dB

LUBRICANTS

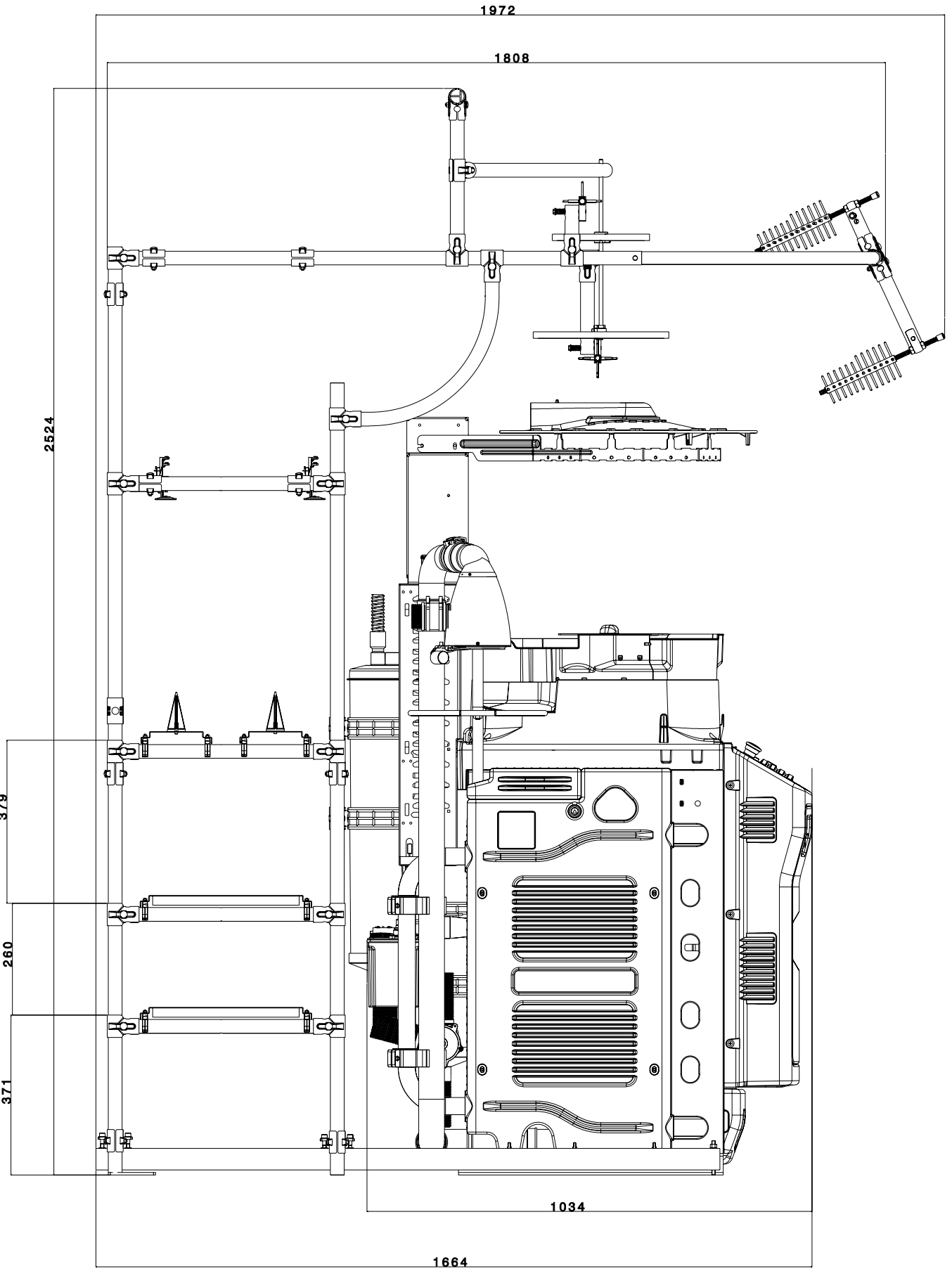
Average consumption for 100 dozens= 270 gr. Lonati recommends: Kluber Madol 183 Supreme - Fuchs Renolin Trax 16C - VICKERLUBE SOCK 46

GREASE

For seals, bearings etc: Lonati recommends: TechnolubeSeals Damping grease Nyogel 774F-1



| DESCRIPTION | CODE | NR. OF REELS | WEIGHT KG. | NOTES |
|-------------|----------|--------------|------------|---------------------------|
| Yarn creel | G3930706 | 23 | 20 | Standard version |
| Yarn creel | G3930707 | 23 | 20 | Version with BTSR sensors |



| DESCRIPTION | CODE | NR. OF REELS | WEIGHT KG. | NOTES |
|-------------|----------|--------------|------------|---------------------------|
| Yarn creel | 63930706 | 23 | 20 | Standard version |
| Yarn creel | 63930707 | 23 | 20 | Version with BTSR sensors |

Lonati

