

**G E** series

SINGLE CYLINDER  
GE625FEV - GE525FEV

Lonati

# SINGLE CYLINDER

GE625FEV - GE525FEV

## SBYS DEVICE

for automatic linking, increased reliability and productivity compared to the previous series

## KNITTING HEAD

designed to knit high quality items and ensure constant reliability over time

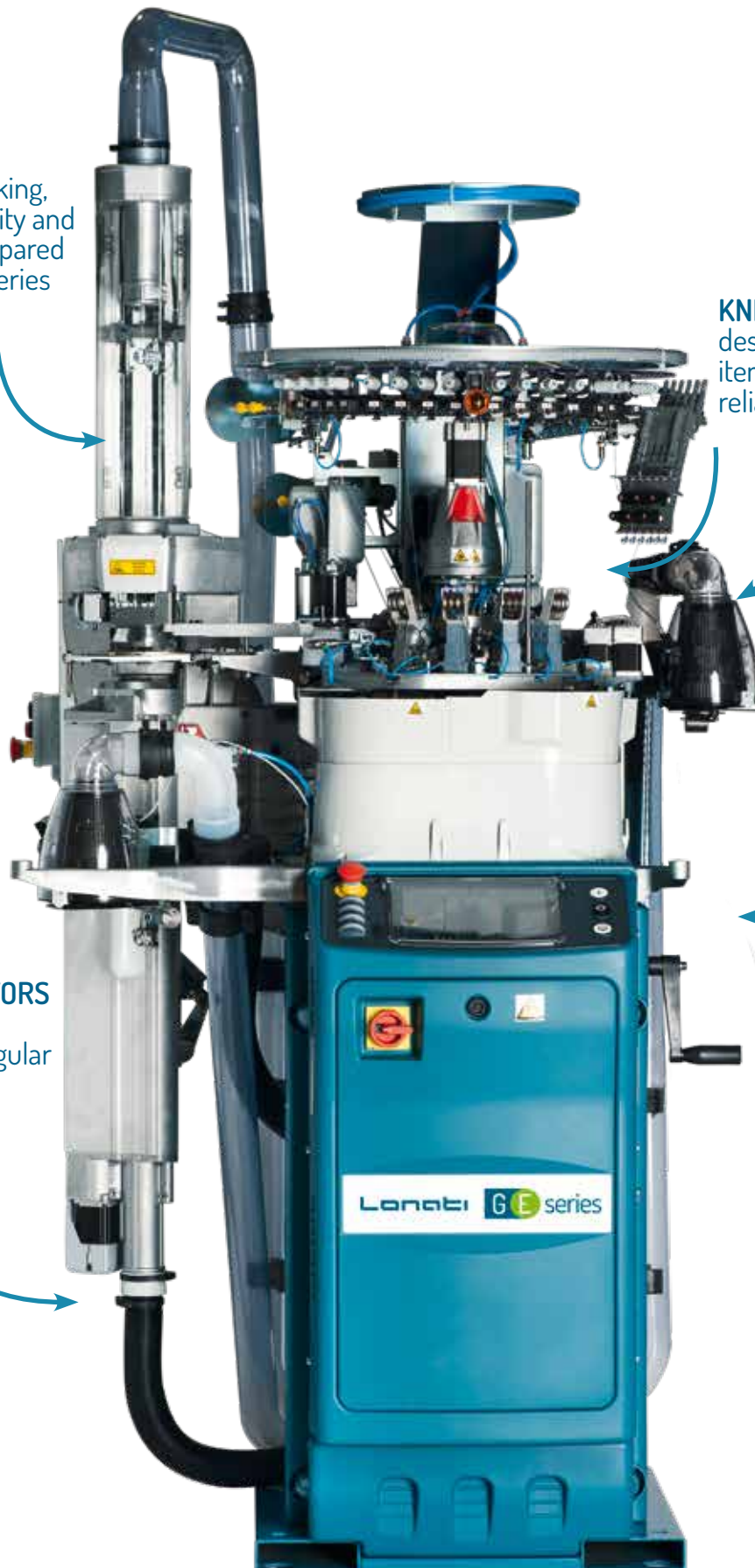
Reduction of production times thanks to the possibility of knitting with two feeds and two elastics

## STEPPING MOTORS

with absolute encoder for angular position control

## NEW ELECTRONICS

9" high resolution touch screen display. New user friendly interface. Ethernet, WiFi, NFC connections, Bluetooth is also available for future developments





All images in this brochure are indicative and not binding.

## SINGLE CYLINDER GE625FEV - GE525FEV

2-feeds, single-cylinder machine for the production of socks and pantyhose for men, women, and children in plain knit or terry. This last according to the classic setup of the F version (extended to 180° reciprocating or 360°) including heel and toe. Compared to the F version, the EV version adds a second elastic which allows the stitch formation in two feeds and two elastics (colour pattern possibility in one feed only). Closed toe Sbys true linking device external to the machine.

### MANUFACTURING FEATURES

- Five colours plus ground on the same course in one feed.
- Mesh, tucked and floated stitch, with five colours on the same course in one feed.
- 3D effects in any area of the sock
- Jacquard in two feeds
- Laid-in elastic areas in two feeds with two elastics, without pattern.

### TECHNICAL FEATURES

- 8-levels needle-by-needle selection with 9 actuators
- Independent elastic yarnfingers controlled by stepper motor
- 9 yarnfingers on the main feed, 4 colour yarnfingers groups with 3 yarnfingers each, fifth colour with 3 yarnfingers using the second feed
- Second feed with 6 yarnfingers
- 1 elastic yarnfinger each feed.
- 2 pickers and 2 droppers independent system for heel and toe formation and 3D effects.

### MACHINE DIMENSIONS



Length max 127.3 cm  
Depth max 114.8 cm  
Height max 228 cm

### MACHINE WEIGHT



Machine ca. 320 Kg

# SINGLE CYLINDER

## GE625FEV - GE525FEV

### TECHNICAL DATA

MODEL	CYLINDER DIAMETER	GAUGE	NEEDLE THICKNESS
GE625FEV	3"3/4	from 9 to 17	0.85 - 0.70 - 0.60 mm
GE525FEV	4"	from 8 1/2 to 16	0.85 - 0.70 - 0.60 mm

Above data are indicative and not binding.

### STANDARD DEVICES

- Stepper motor electric dial with adjustable height
- Motorized stitch cams.
- Motorized sinker cap for sinker pressure and angular position
- 9" high resolution touch screen display
- Yarn sliding sensors guard cleaning device
- Heel yarn recover device with four levers
- 2 stepper motor controlled adjustable suction valves
- 15 color yarn fingers
- 9 yarn fingers on first feed, 6 on second feed
- Yarn creel
- USB port
- Circular yarn cutter with mechanical stop
- 1 yarn finger on laid-in elastic feed 1
- 1 yarn finger on laid-in elastic feed 2

### MAIN OPTIONAL DEVICES

- LGL Eco Power or Eco Compact yarn storage feeder, also available with "Attivo" electronic brake version
- Dinema GRYF positive yarn feeders
- Elastic yarn positive feeders, for compression socks
- Dinema Plus elastane positive feeders
- "High-speed/plain mesh" sinker cap
- Motorized raising stitch device for sock extraction
- Motorized sinkers cap for sinkers pressure
- Antitwist device
- Mechanical configuration for footlet article
- Inside-out sock ejection device
- G-Flot device
- G-Flot 2 device
- Elastane extra pliers device
- Recover yarn device, 6 levers
- Yarn trimming circular cutter with adjustable speed
- Lower sock-turning device with rotating tube
- Linking device and yarnfingers inspection led lamps
- Preparation for storage feeder "Unifeeder 2" by BTR
- License Nautilus by Dinema for data collector system connection
- Second elastic yarn finger on second feed
- Yarn sliding control sensors, Dinema ISPY
- Pneumatic yarn tensioner for covered elastane
- Suction fan

### POSSIBLE KNITTING

The standard machine can perform the following knittings

- Mesh, tuck and float stitch, jacquard, 2 feeds, plain knit or terry
- 5 colors pattern plus ground color, tuck and float stitch, 1 feed, plain knit or terry
- With laid-in elastic: 4 colors pattern plus ground color, mesh, tuck and float stitch, 1 feed, plain knit or terry
- Laid-in elastic on 2 feeds, that is 1 elastic course every 2 knitted courses, plain knit or terry
- With laid-in elastic: four colors pattern plus ground color, mesh, tuck and float stitch, single feed, plain knit or terry.
- Laid-in elastic in two feeds, one elastic course each knitted course (plain knit or terry).

# SINGLE CYLINDER

## GE625FEV - GE525FEV



### NUMBER OF COLORS

Number of colors	5 colors on course plus ground color, one feed
------------------	--

### PERFORMANCES

	3" 3/4 - 4" CYLINDERS
KNITTING FEATURES	Patterns or selections 300 rpm Plain knit without pattern, "high speed" sinker cap 350 rpm
MAXIMUM SPEED	350 rpm

Above data are indicative and not binding.

DISCLAIMER: maximum speed may vary depending on yarn, knitting, lubrication etc

### GAUGE

Model	ø	GAUGE																						
		6½	7	7½	8	8½	9	9½	10	10½	11	11½	12	12½	13	13½	14	14½	15	15½	16	16½	17	
GE525FEV	4"					108		116		128	136	144		156		168	176	180	188	192	200			
		Needle thickness 0.85 mm																						
		Needle thickness 0.70 mm										Needle thickness 0.70 mm												
GE625FEV	3"3/4"						108	112	116	120	128	132	136	144		156	160	168		176	180	188	192	200
		Needle thickness 0.85 mm																						
		Needle thickness 0.70 mm										Needle thickness 0.70 mm						Needle thickness 0.60 mm						

Above data are indicative and not binding.

#### DISCLAIMER:

All features in the brochure are for information only and subject to change without any prior notice.

For a complete list of available options, please contact Lonati sales network.

The Company accepts no liability for improper use of machinery.

Lonati is recommending needles from  
**GROZ-BECKERT®**

# SINGLE CYLINDER

## GE625FEV - GE525FEV

### NOISE LEVEL (Maximum noise output for GE series models)

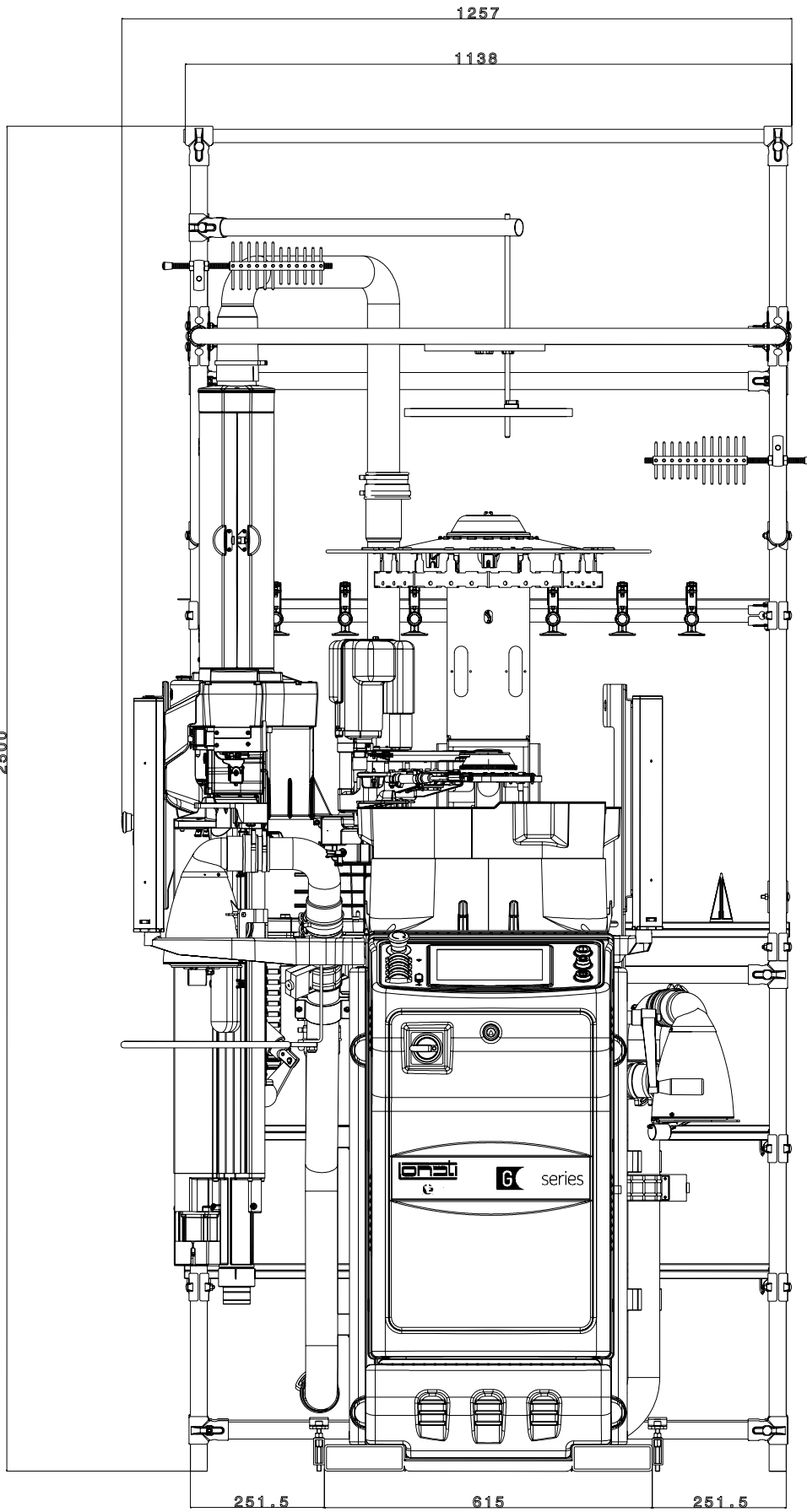
Noise pressure level on reference surface = LPA 79,5 dB - Noise power level = LWA 96,6 dB - Peak= 109,3 dB

### LUBRICANTS

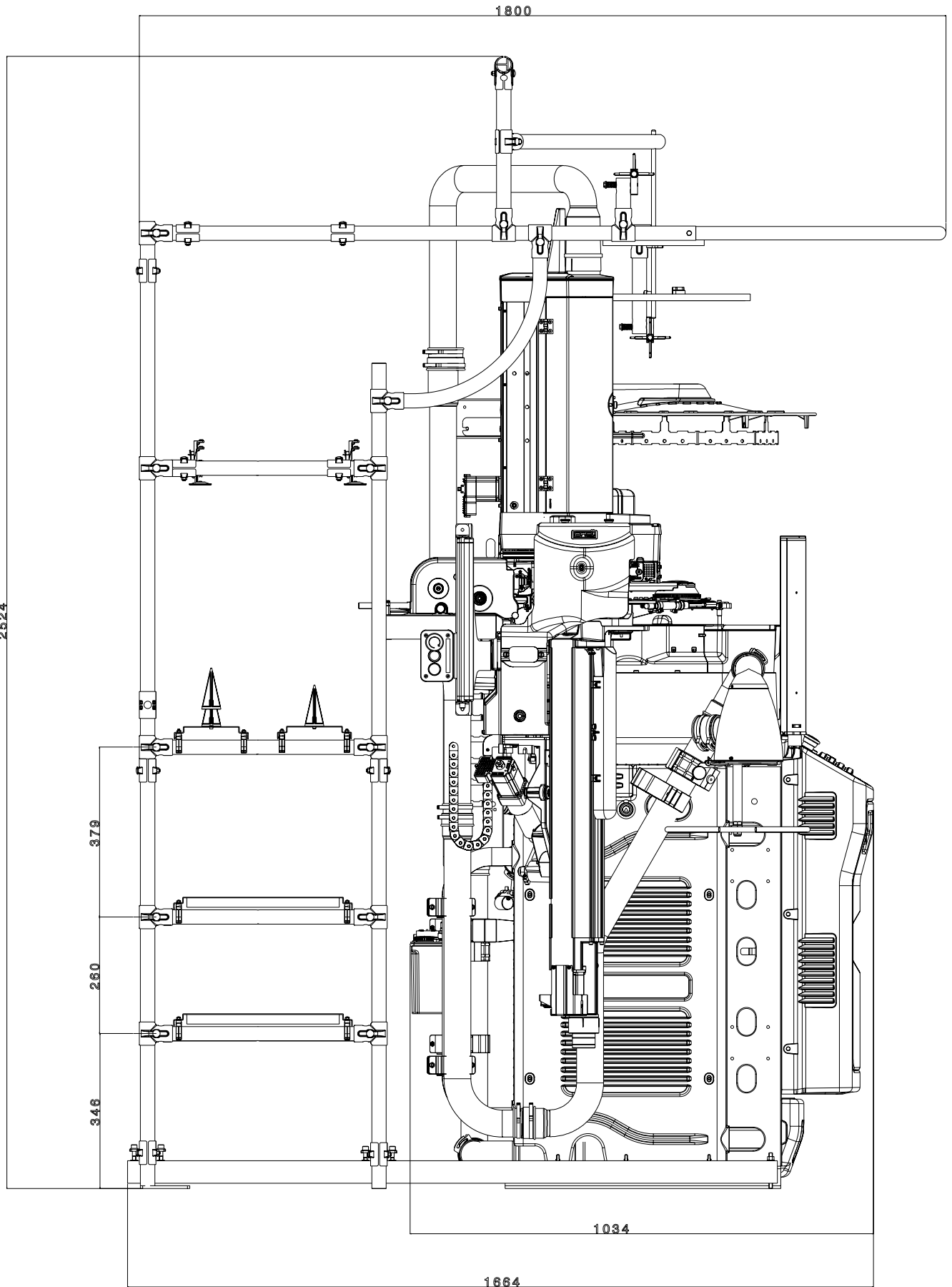
Average consumption for 100 dozens= 270 gr. Lonati recommends: Kluber Madol 183 Supreme - Fuchs Renolin Trax 16C - VICKERLUBE SOCK 46

### GREASE

For seals, bearings etc: Lonati recommends: TechnolubeSeals Damping grease Nyogel 774F-1



DESCRIPTION	CODE	NR. OF REELS	WEIGHT KG.	NOTES
Yarn creel	G3930706	23	51	Standard version
Yarn creel	G3930707	23	51	Version with BTR sensors



DESCRIPTION	CODE	NR. OF REELS	WEIGHT KG.	NOTES
Yarn creel	G3930706	23	51	Standard version
Yarn creel	G3930707	23	51	Version with BTR sensors



Lonati

