

**G E** series

SINGLE CYLINDER

GE616DF - GE616DF3 - GE516DF - GE516DF3



# SINGLE CYLINDER

GE616DF - GE616DF3 - GE516DF - GE516DF3

## SBYS DEVICE

for automatic linking, increased reliability and productivity compared to the previous series.

## KNITTING HEAD

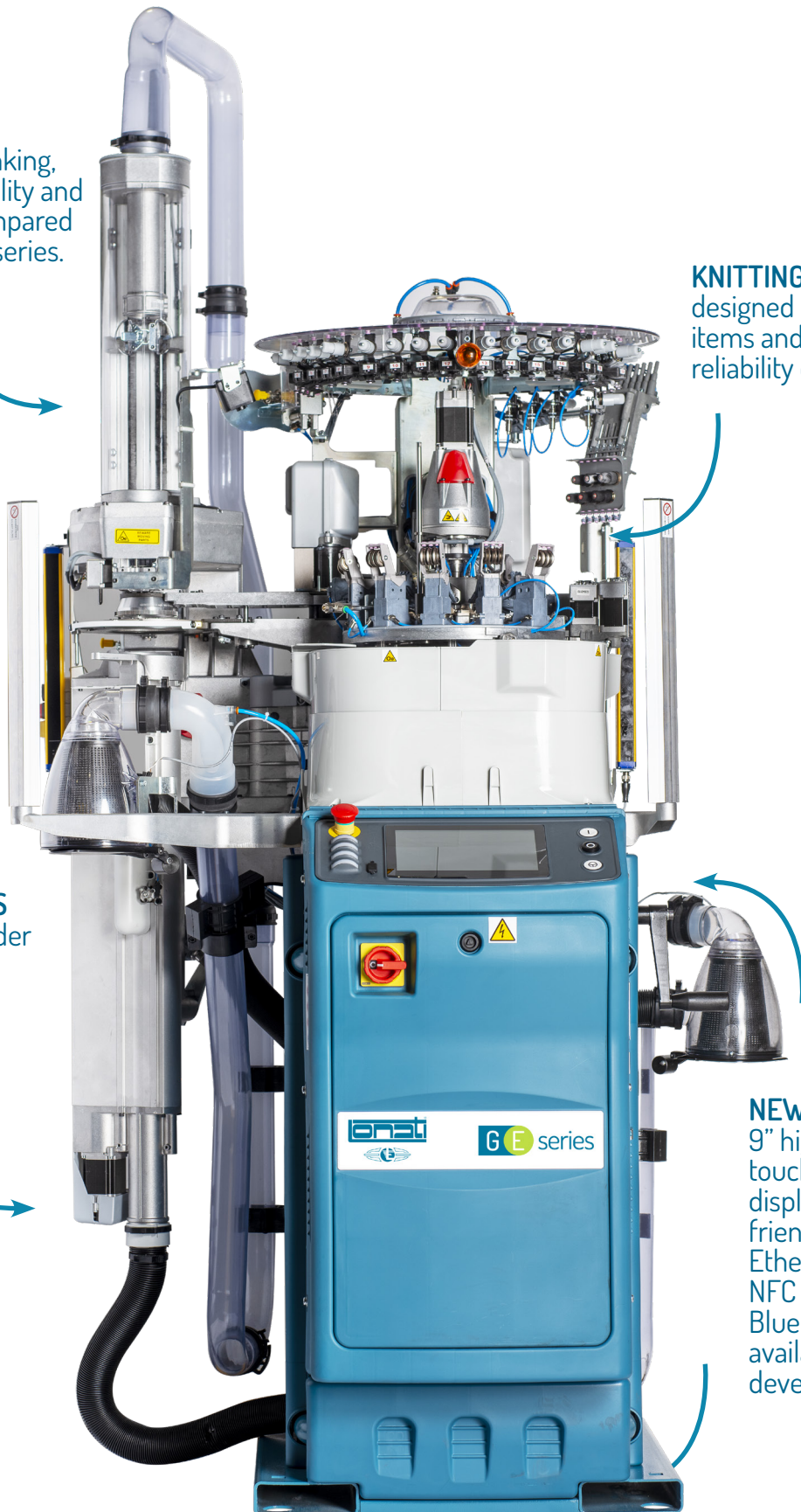
designed to knit high quality items and ensure constant reliability over time

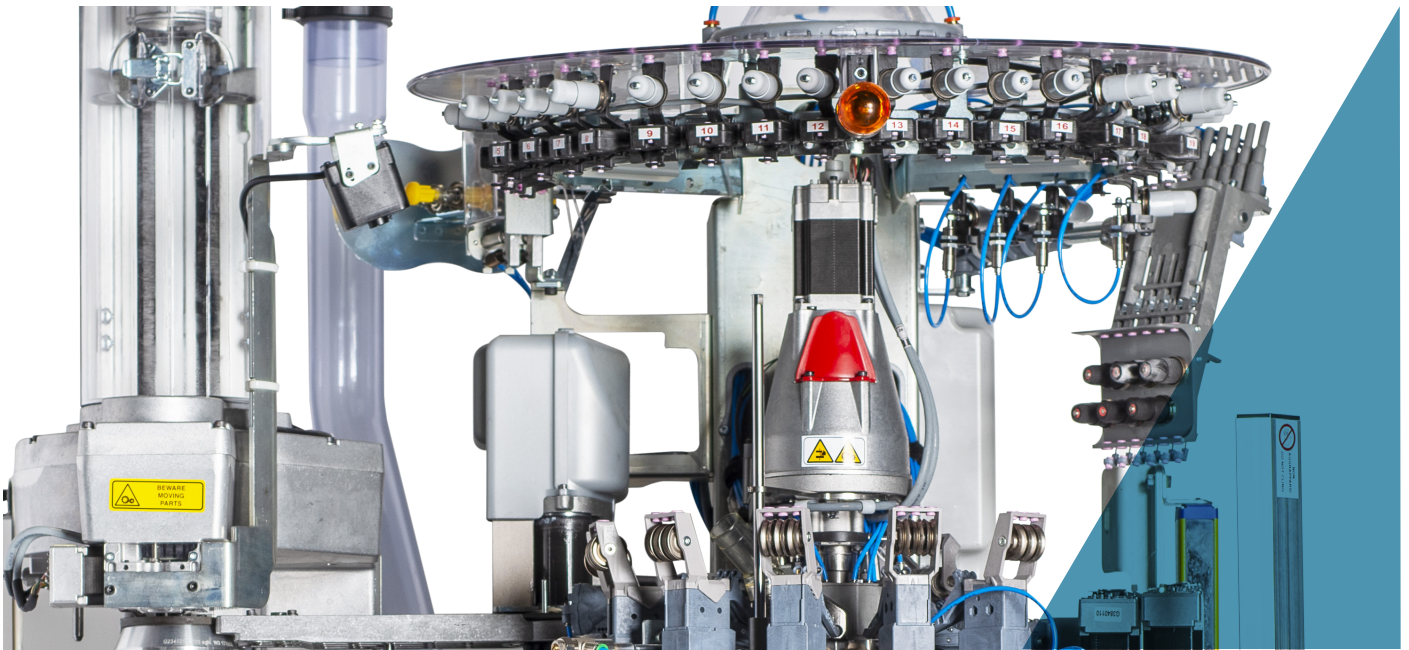
## STEPPING MOTORS

with absolute encoder for angular position control.

## NEW ELECTRONICS

9" high resolution touch screen display. New user friendly interface. Ethernet, WiFi, NFC connections, Bluetooth is also available for future developments.





All images in this brochure are indicative and not binding.

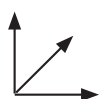
## SINGLE CYLINDER

### GE616DF - GE616DF3 - GE516DF - GE516DF3

1 feed machines are the best sellers of the single cylinder for men's socks as, thanks to their versatility, they can produce several different items, from the very simple to the most complex, without compromising on quality and efficiency. They are available in different diameters and numbers of needles. Automatic linking with the latest version of the SBYS device, performing a "real linking" technique. Advantages are remarkable: superior quality sock finishing, more comfort and resistance compared to socks made using conventional systems. New electronics provides control and execution of all machine commands. Drawings and articles are created and managed by Digraph 3 Plus software package, which contains a full collection of styles the operator can combine in different ways to obtain the desired results.

- 6 colors pattern on course, plain knit or selected terry. selected terry also on reciprocating areas
- Reciprocated heel and toe in different sizes and 3D effects
- 28 or 29 yarn fingers, according to the model
- Rising dial and finger plate with stepping motor
- GE616DF GE516DF 9 electronic actuators for needle selection plus 1 electronic actuator for sinker selection
- GE616DF3 GE516DF3 10 actuators for needle selection plus 1 electronic actuator for sinker selection
- Brushless coaxial main motor

#### MACHINE DIMENSIONS



Lenght max cm 127,3  
Depth max cm 114,8  
Height max cm 228

#### MACHINE WEIGHT



ca. 320 Kg

# SINGLE CYLINDER

GE616DF - GE616DF3 - GE516DF - GE516DF3

## TECHNICAL DATA

MODEL	CYLINDER DIAMETER	GAUGE	NEEDLE THICKNESS
GE616DF	3"3/4	from 9 to 17	0.85 - 0.70 - 0.60 mm
GE616DF3	3"3/4"	from 9 to 17	0.85 - 0.70 - 0.60 mm
GE516DF	4"	from 8 1/2 to 16	0.85 - 0.70 - 0.60 mm
GE516DF3	4"	from 8 1/2 to 16	0.85 - 0.70 - 0.60 mm

Above data are indicative and not binding.

## STANDARD DEVICES

- Stepper motor electric dial with adjustable height
- Stitch cam feed: 1 with 3 different heights.
- Motorized stitch cam, on GE616DF3 and GE516DF3 only
- Motorized sinker cap for sinker pressure and angular position
- 9" high resolution touch screen display
- Yarn sliding sensors guard cleaning device
- Heel yarn recover device with four positions
- 2 yarn fingers on laid-in elastic feed, on GE616DF3 and GE516DF3 only
- 2 stepper motor controlled adjustable suction valves
- 9 yarnfingers on stitch feed
- Yarn creel
- USB port
- 18 color yarnfingers
- circular yarn cutter with mechanical stop
- Circular yarn cutter with adjustable speed, on GE616DF3 and GE516DF3 only
- 1 yarnfinger on laid-in elastic feed

## MAIN OPTIONAL DEVICES

- LGL Eco Power or Eco Compact yarn storage feeder, also available with "Attivo" electronic brake version
- Dinema GRYF positive yarn feeders
- Elastic yarn positive feeders, for compression socks
- Dinema Plus elastane positive feeders
- Motorized stitch cams, on GE616DF and GE516DF
- Motorized aising stitch device for sock extraction
- Antitwist device
- Footlet device, on GE616DF and GE516DF only
- Inside-out sock ejection device
- G-Flot device
- G-Flot 2 device
- Elastane extra pliers device
- Yarn recover device, 6 positions
- Yarn trimming circular cutter with adjustable speed
- Linking device and yarnfingers inspection led lamps
- Lower sock-turning device with rotating tube
- Preparation for storage feeder "Unifeeder 2" by BTSR
- Ethernet board for connection to Dinema Nautilus data collector system
- Second elastic yarn finger, on GE616DF only
- Yarn sliding control sensors, Dinema ISPY
- Pneumatic yarn tensioner for covered elastane
- Suction fan

## POSSIBLE KNITTING

The standard machine can perform the following knittings

- 6 colors pattern plus ground, mesh, tuck and float stitch, plain knit or plating selected terry
- With laid-in elastic: 6 colors pattern plus ground, tuck and float stitch, plain knit or plating selected terry
- With laid-in elastic: 5 colors pattern plus ground, mesh, tuck and float stitch, plain knit or plating selected terry.
- On GE616DF3 and GE516DF3 only: selected heel with 2 colors double stitch jacquard pattern (tucked and cleared stitch).

# SINGLE CYLINDER

## GE616DF - GE616DF3 - GE516DF - GE516DF3



### NUMBER OF COLORS

Number of colors	6 colors on course plus ground
------------------	--------------------------------

### PERFORMANCES

	3"3/4, 4" CYLINDERS
KNITTING FEATURES	Patterns or selection 250 rpm Plain knit sinker cap 250 rpm
MAXIMUM SPEED	250 rpm

Above data are indicative and not binding.

DISCLAIMER: maximum speed may vary depending on yarn, knitting, lubrication etc

### GAUGE

Model	ø	GAUGE																																									
		6½	7	7½	8	8½	9	9½	10	10½	11	11½	12	12½	13	13½	14	14½	15	15½	16	16½	17																				
GE516DF	4"					108				116				128					156			168			176			180			188			192			200						
		Needle thickness 0.85 mm												Needle thickness 0.70 mm												Needle thickness 0.60 mm																	
		Needle thickness 0.70 mm												Needle thickness 0.70 mm												Needle thickness 0.60 mm																	
GE516DF3	4"					108				116				128					156			168			176			180			188			192			200						
		Needle thickness 0.85 mm												Needle thickness 0.70 mm												Needle thickness 0.60 mm																	
		Needle thickness 0.70 mm												Needle thickness 0.70 mm												Needle thickness 0.60 mm																	
GE616DF	3"3/4							108		112		116		120		128				132		136		144				156		160		168			176		180		188		192		200
		Needle thickness 0.85 mm												Needle thickness 0.70 mm												Needle thickness 0.60 mm																	
		Needle thickness 0.70 mm												Needle thickness 0.70 mm												Needle thickness 0.60 mm																	
GE616DF3	3"3/4							108		112		116		120		128				132		136		144				156		160		168			176		180		188		192		200
		Needle thickness 0.85 mm												Needle thickness 0.70 mm												Needle thickness 0.60 mm																	
		Needle thickness 0.70 mm												Needle thickness 0.70 mm												Needle thickness 0.60 mm																	

Above data are indicative and not binding.

#### DISCLAIMER:

All features in the brochure are for information only and subject to change without any prior notice.

For a complete list of available options, please contact Lonati sales network.

The Company accepts no liability for improper use of machinery.

Lonati is recommending needles from  
**GROZ-BECKERT®**

# SINGLE CYLINDER

GE616DF - GE616DF3 - GE516DF - GE516DF3

## NOISE LEVEL (Maximum noise output for GE series models)

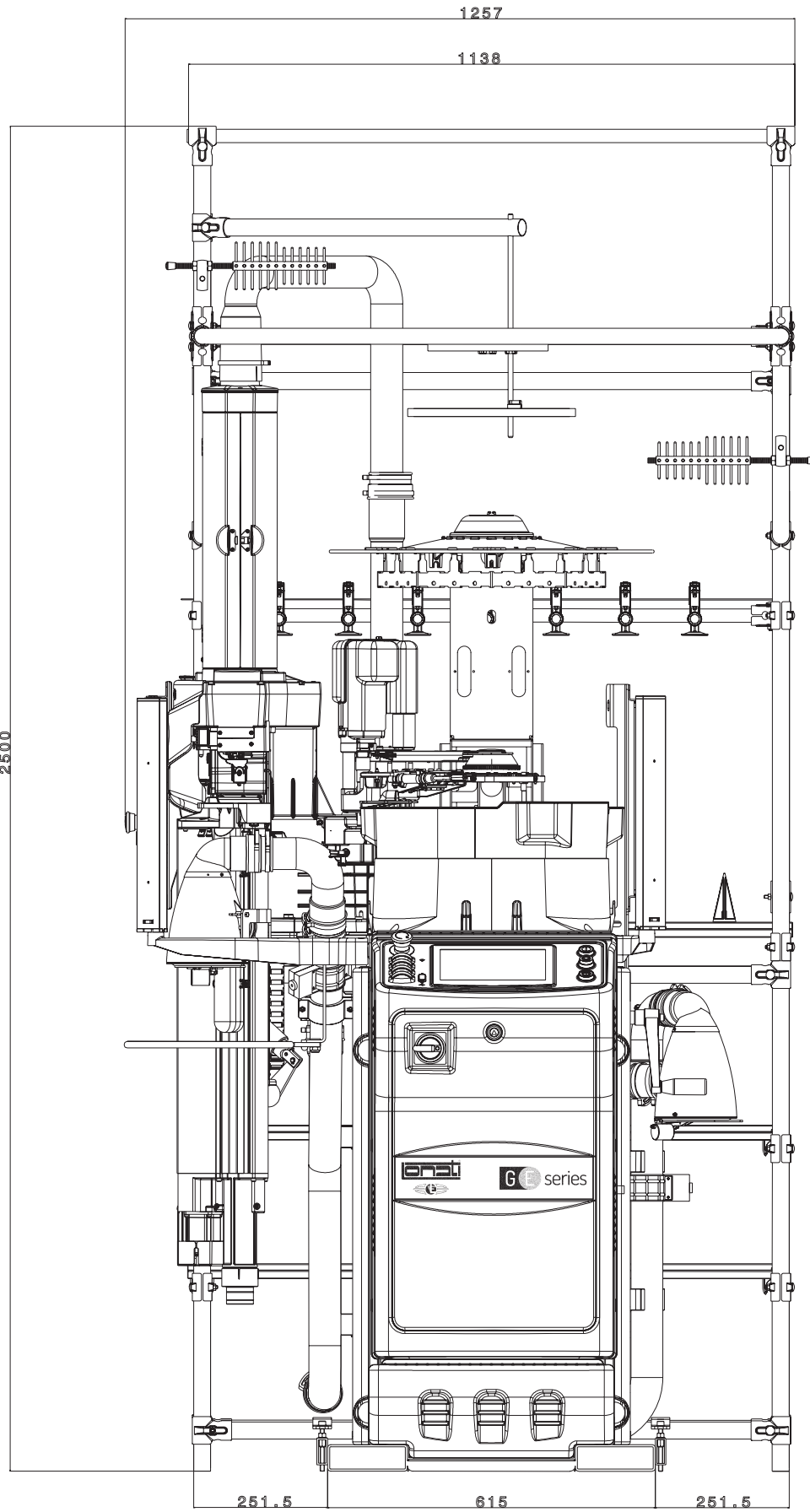
Noise pressure level on reference surface = LPA 79,5 dB - Noise power level = LWA 96,6 dB - Peak= 109,3 dB

## LUBRICANTS

Average consumption for 100 dozens= 270 gr. Lonati recommends: Kluber Madol 183 Supreme - Fuchs Renolin Trax 16C - VICKERLUBE SOCK 46

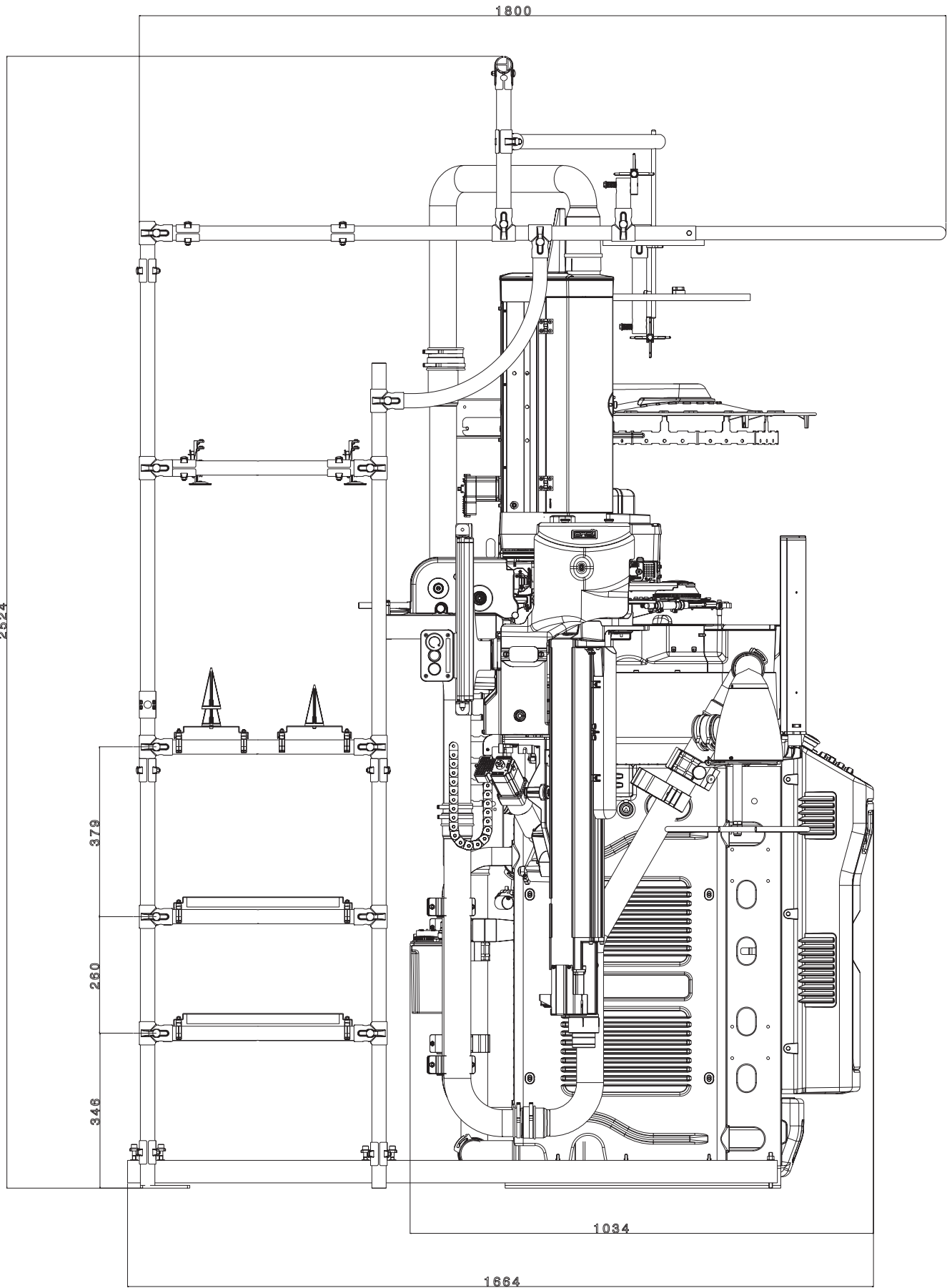
## GREASE

For seals, bearings etc: Lonati recommends: TechnolubeSeals Damping grease Nyogel 774F-1



DESCRIPTION	CODE	NR. OF REELS	WEIGHT KG.	NOTES
Yarn creel	G3930706	23	51	Standard version
Yarn creel	G3930707	23	51	Version with BTR sensors





DESCRIPTION	CODE	NR. OF REELS	WEIGHT KG.	NOTES
Yarn creel	G3930706	23	51	Standard version
Yarn creel	G3930707	23	51	Version with BTR sensors







LONATI SPA

Via Francesco Lonati, 3 | 25124 Brescia (Italy)

Tel. +39 03023901 | Fax +39 030 2310024

C.F.: 01469680175 | P.iva: 02096730961

info@lonati.com - www.lonati.com