

**G E** series  
SINGLE CYLINDER  
GE523H



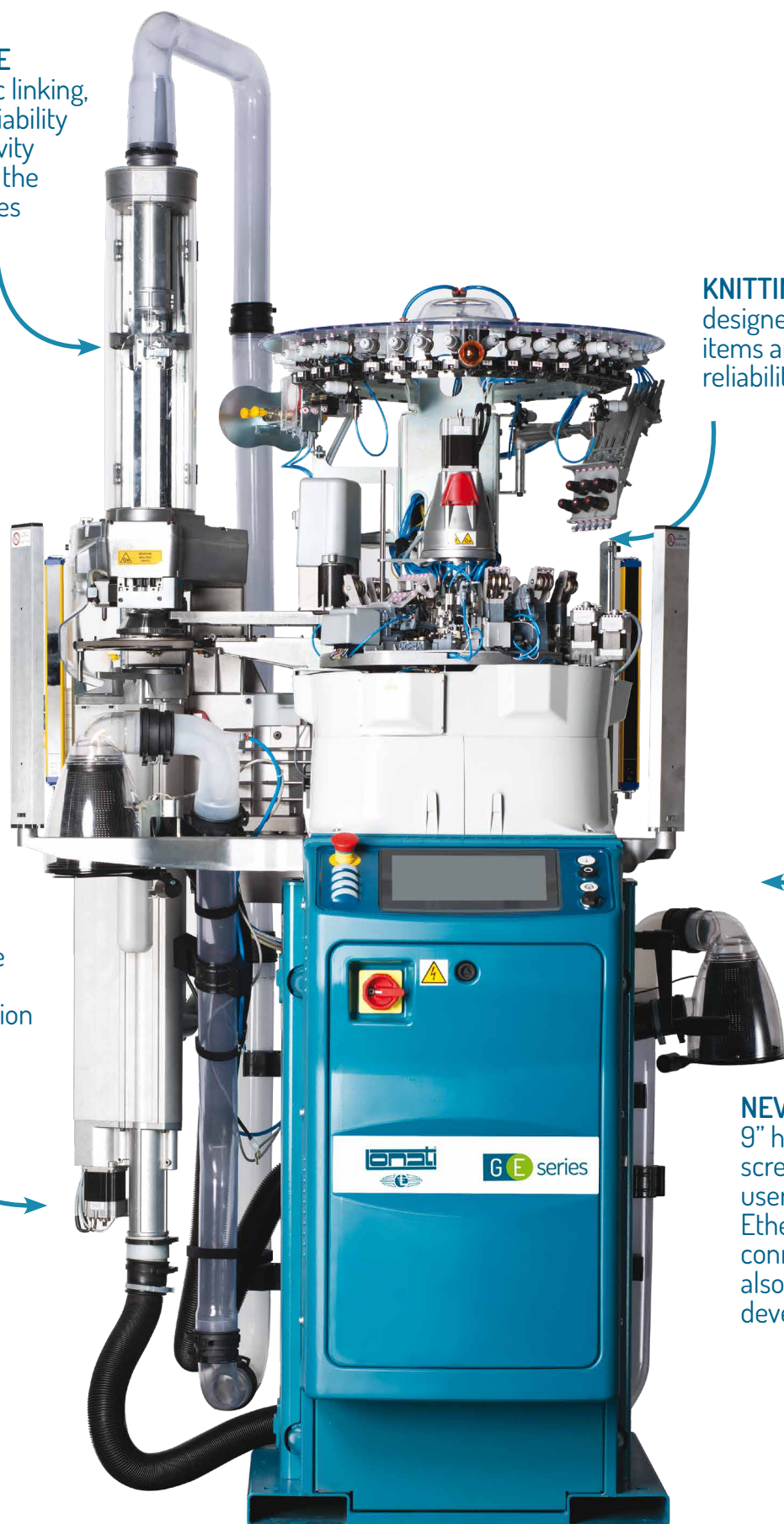
# SINGLE CYLINDER GE523H

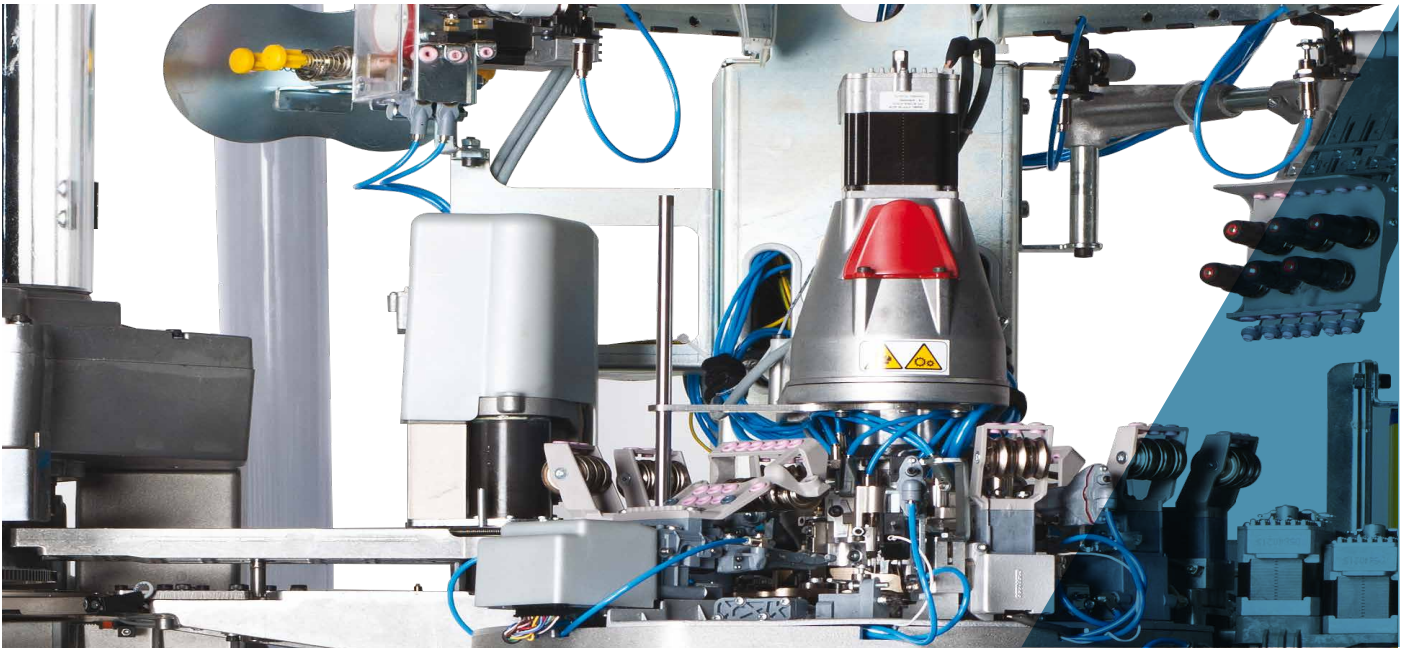
**SBYS DEVICE**  
for automatic linking,  
increased reliability  
and productivity  
compared to the  
previous series

**KNITTING HEAD**  
designed to knit high quality  
items and ensure constant  
reliability over time

**STEPPING  
MOTORS**  
with absolute  
encoder for  
angular position  
control

**NEW ELECTRONIC**  
9" high resolution touch  
screen display. New  
user friendly interface.  
Ethernet, WiFi, NFC  
connections, Bluetooth is  
also available for future  
developments





All images in this brochure are indicative and not binding.

## SINGLE CYLINDER GE523H

A new machine for 2 feeds items with 3 colors pattern. Automatic linking with the latest version of the SBYS device, performing a “real linking” technique. Advantages are remarkable: superior quality sock finishing, more comfort and resistance compared to socks made using conventional systems. New electronics provides control and execution of all machine commands. Drawings and articles are created and managed by Digraph 3 Plus software package, which contains a full collection of styles the operator can combine in different ways to obtain the desired results.

- 3 colors pattern with 2 feeds, plain knit
- Reciprocated heel and toe in different sizes and 3D effects
- 36 yarn fingers
- Rising dial and finger plate with stepping motor
- 9 electronic actuators for needle selection
- Brushless coaxial main motor

### MACHINE DIMENSIONS



Length max cm 127,3  
Depth max cm 114,8  
Height max cm 228

### MACHINE WEIGHT



ca. 320 Kg

# SINGLE CYLINDER

## GE523H

### TECHNICAL DATA

| MODEL  | CYLINDER DIAMETER | GAUGE            | NEEDLE THICKNESS      |
|--------|-------------------|------------------|-----------------------|
| GE523H | 4"                | from 8 1/2 to 19 | 0.85 - 0.70 - 0.60 mm |

Above data are indicative and not binding.

### STANDARD DEVICES

- Stepper motor electric dial with adjustable height
- Motorized stitch cams
- Motorized sinker cap for sinker pressure and angular position
- 9" high resolution touch screen display
- Yarn sliding sensors guard cleaning device
- Heel yarn recover device with four positions
- 16 color yarn fingers
- 2 stepper motor controlled adjustable suction valves
- 9 yarn fingers on both stitch feed
- Yarn creel
- USB port
- Circular yarn cutter with mechanical stop
- 2 yarn finger for laid-in elastic

### MAIN OPTIONAL DEVICES

- LGL Eco Power or Eco Compact yarn storage feeder, also available with "Attivo" electronic brake version
- Dinema GRYF positive yarn feeders
- Elastic yarn positive feeders, for compression socks
- Dinema Plus elastane positive feeders
- Motorized raising stitch device for sock extraction
- Antitwist device
- Footlet device
- Inside-out sock ejection device
- Elastane extra pliers device, feed 1 and 2
- Recover yarn device, 6 positions
- Yarn trimming circular cutter with adjustable speed
- Lower sock-turning device with rotating tube
- Linking device and yarnfingers inspection led lamps
- Preparation for storage feeder "Unifeeder 2" by BTR
- Ethernet board for connection to Dinema Nautilus data collector system
- Yarn sliding control sensors, Dinema ISPY
- Pneumatic yarn tensioner for covered elastane
- Suction fan

### POSSIBLE KNITTING

The standard machine can perform the following knittings

- Mesh, tuck and float stitch, jacquard, 2 feeds, plain knit
- 3 colors pattern plus ground color, mesh, tuck and float stitch, jacquard, 2 feeds, plain knit
- 2 colors pattern plus ground color, mesh, tuck and float stitch, jacquard, 2 feeds, plain knit
- With laid-in elastic: 2 colors pattern plus ground color, tuck and float stitch, 2 feed, plain knit
- With laid-in elastic: 1 color pattern plus ground color, mesh, tuck and float stitch, 2 feeds, plain knit

# SINGLE CYLINDER

## GE523H

### NUMBER OF COLORS

|                  |   |
|------------------|---|
| Number of colors | 3 colors on course plus ground color, two feeds |
|------------------|---|

### PERFORMANCES

|                   |   |
|-------------------|---|
| KNITTING FEATURES | 4" CYLINDERS                              |
| MAXIMUM SPEED     | Patterns or selections 300 rpm<br>300 rpm |

Above data are indicative and not binding.

DISCLAIMER: maximum speed may vary depending on yarn, knitting, lubrication etc.

### GAUGE

|        |    | GAUGE                    |   |    |   |     |   |     |                          |     |     |     |    |                          |    |     |     |     |     |     |     |     |     |     |    |     |    |     |  |
|--------|----|--------------------------|---|----|---|-----|---|-----|--------------------------|-----|-----|-----|----|--------------------------|----|-----|-----|-----|-----|-----|-----|-----|-----|-----|----|-----|----|-----|--|
| Model  | ø  | 6½                       | 7 | 7½ | 8 | 8½  | 9 | 9½  | 10                       | 10½ | 11  | 11½ | 12 | 12½                      | 13 | 13½ | 14  | 14½ | 15  | 15½ | 16  | 16½ | 17  | 17½ | 18 | 18½ | 19 | 20  |  |
| GE523H | 4" |                          |   |    |   | 108 |   | 116 |                          | 128 | 136 | 144 |    | 156                      |    | 168 | 176 | 180 | 188 | 192 | 200 |     | 216 | 220 |    |     |    | 240 |  |
|        |    | Needle thickness 0.85 mm |   |    |   |     |   |     |                          |     |     |     |    |                          |    |     |     |     |     |     |     |     |     |     |    |     |    |     |  |
|        |    | Needle thickness 0.70 mm |   |    |   |     |   |     | Needle thickness 0.70 mm |     |     |     |    | Needle thickness 0.60 mm |    |     |     |     |     |     |     |     |     |     |    |     |    |     |  |

Above data are indicative and not binding.

#### DISCLAIMER:

All features in the brochure are for information only and subject to change without any prior notice.

For a complete list of available options, please contact Lonati sales network.

The Company accepts no liability for improper use of machinery.

# SINGLE CYLINDER

## GE523H

### NOISE LEVEL (Maximum noise output for GE series models)

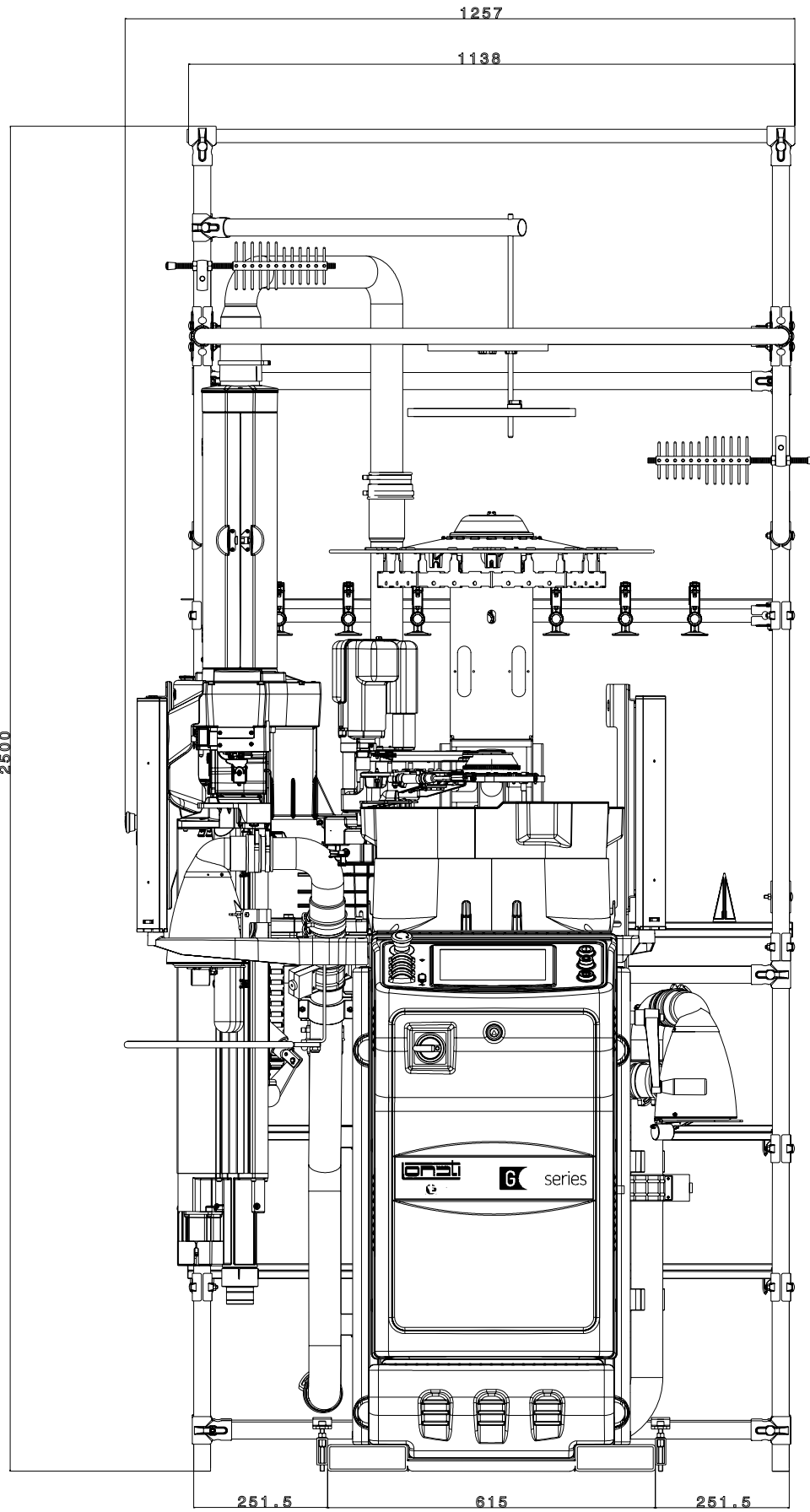
Noise pressure level on reference surface = LPA 79,5 dB - Noise power level = LWA 96,6 dB - Peak= 109,3 dB

### LUBRICANTS

Average consumption for 100 dozens= 270 gr. Lonati recommends: Kluber Madol 183 Supreme - Fuchs Renolin Trax 16C - VICKERLUBE SOCK 46

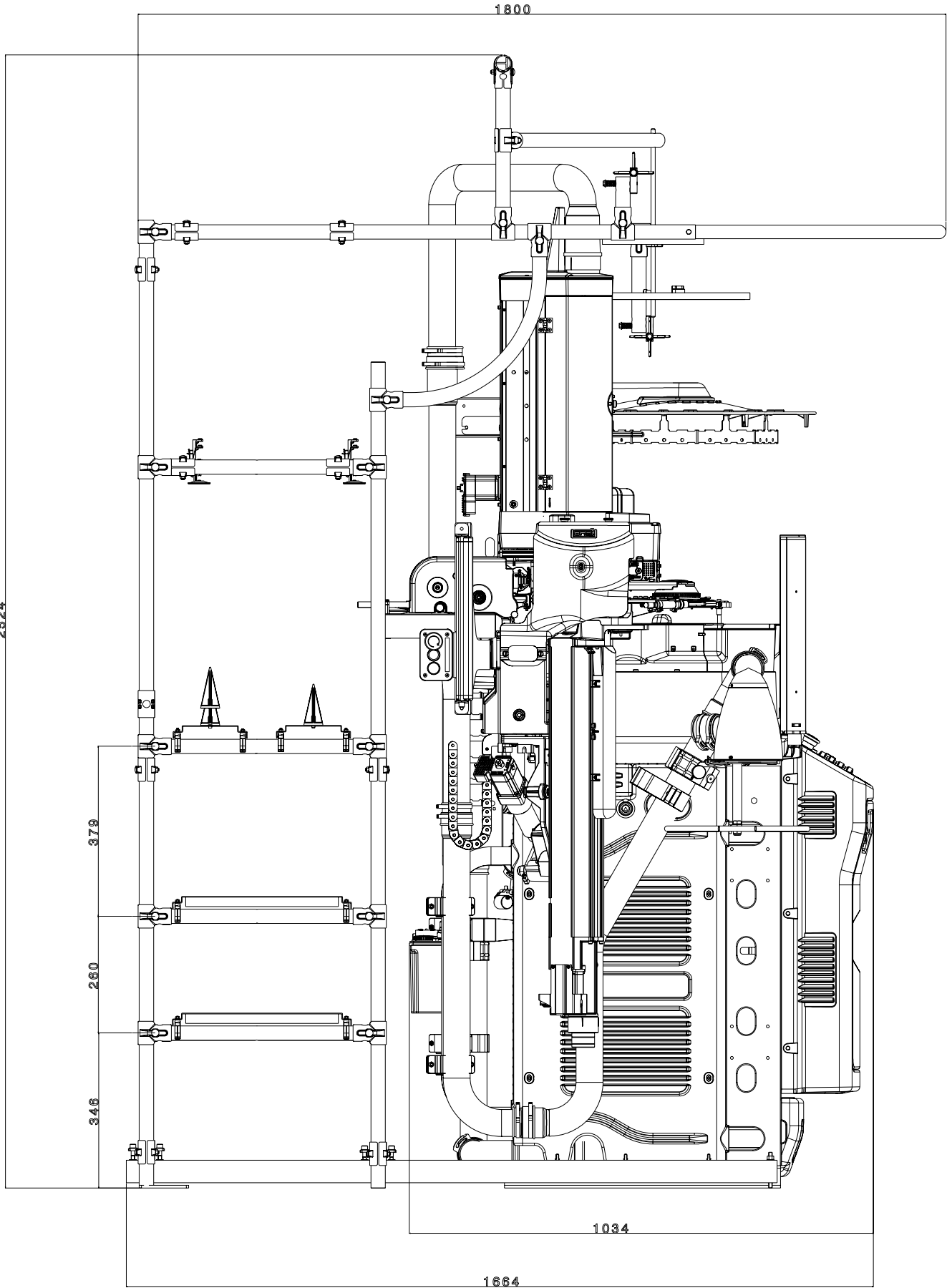
### GREASE

For seals, bearings etc: Lonati recommends: TechnolubeSeals Damping grease Nyogel 774F-1



| DESCRIPTION | CODE     | NR. OF REELS | WEIGHT KG. | NOTES                     |
|-------------|----------|--------------|------------|---------------------------|
| Yarn creel  | G3930706 | 23           | 51         | Standard version          |
| Yarn creel  | G3930707 | 23           | 51         | Version with BTSR sensors |





| DESCRIPTION | CODE     | NR. OF REELS | WEIGHT KG. | NOTES                     |
|-------------|----------|--------------|------------|---------------------------|
| Yarn creel  | G3930706 | 23           | 51         | Standard version          |
| Yarn creel  | G3930707 | 23           | 51         | Version with BTSR sensors |







LONATI SPA  
Via Francesco Lonati, 3 | 25124 Brescia (Italy)  
Tel. +39 03023901 | Fax +39 030 2310024  
C.F.: 01469680175 | P.iva: 02096730961  
info@lonati.com - www.lonati.com